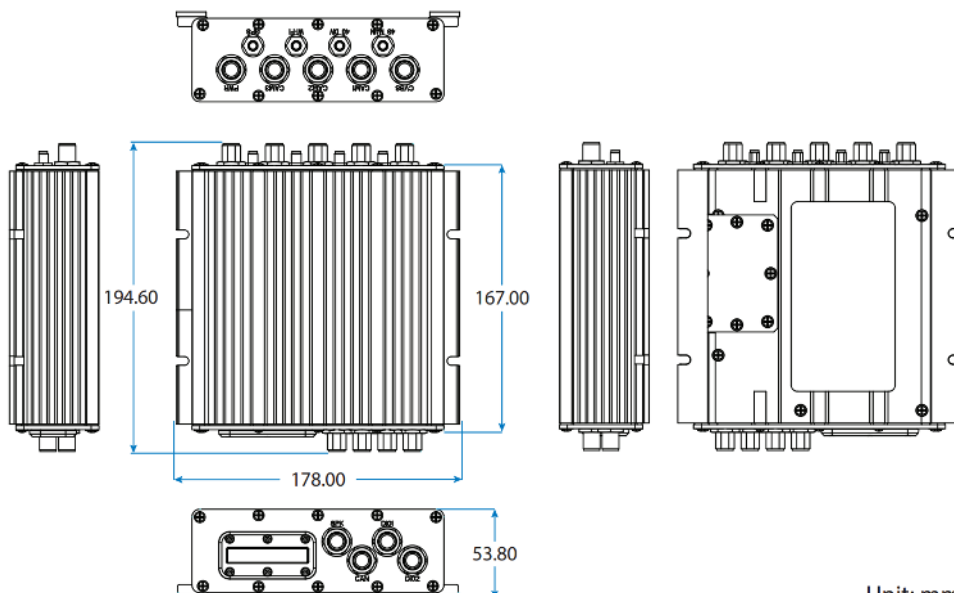


AVA-F3-DB

Technical datasheet

Component List

- AVA-F3-DB system (with waterproof cover)
- Vibration dampening strips
- 3x IP67 FOV-190° right/left/rear cameras with mounting brackets (3M cable)
- Strong magnets with 6 x M5*12mm bolts, 3 x 3M VHB GPH-160GF series tape
- 10 x M5*25mm Molly bolts for camera and system installation
- Front panel cover with rubber seal, 8 x M2.5 screws, and Allen wrench
- Speaker with 3M VHB GPH-160GF series tape (3M cable)
- Wi-Fi/GPS antenna module (3M cable)
- Power, ACC/IGN & ground cable (3M cable)
- I/O connector covers for 4G antennas, DIO 1 & 2, CAN Bus, and CVBS ports
- Red/Yellow blade fuse holder cable and fuse pack. (Includes Standard, Micro, Low-Profile and Mini sizes)
- 4 x M12 caps for DIO 1, DIO 2, CAN Bus, and CVBS ports, 2 x SMA caps 4G antenna ports
- 1 x 32GB MicroSD card



Unit: mm

System specification

Model Name	AVA-F3-DB
Processor	1.2GHz ARM Cortex-A7 dual-core SoC with deep learning accelerator
System Memory	1GB DDR3 SDRAM
Storage	512MB SPI NAND Flash ROM 1 Micro SD Card Slot
Wireless Connectivity	1 GPS/Beidou module 1 Wi-Fi 802.11b/g/n/ac/BT 5.0 module
Sensor	1 6-Axis IMU
Expansion I/O	1 MiniPCIe slot for 4G module
Front Panel I/O	2 M12 8-pin DIO avionic connectors 1 M12 CAN/COM (supports TX/RX for RS-232) avionic connector 1 M12 speaker avionic connector 1 Micro SD card slot 1 Micro SIM card slot 1 Power LED 1 Reset button
Back Panel I/O	1 M12 CVBS-out avionic connector 3 M12 AHD camera avionic connectors 1 M12 9~36V, ACC/IGN & ground avionic connector 4 Antenna connectors (4G x 2, Wi-Fi/BT, GPS)
Bottom Opening Covers	Open window with removable plate to access MiniPCIe slot for 4G LTE
Power Supply	12~36V DC-in with ACC/IGN
Operating System	Embedded Linux
Operating Temperature	-20°C ~ 70°C
Storage Temperature	-30°C ~ 70°C
Operating Humidity	0~95% (non-condensing)
Vibration Loading During Operation	ISO-16750-3 Test VII compliance
Shock During Operation	ISO-16750-3 Test VII compliance
Mechanical Construction	Aluminum alloy top cover Metal chassis housing
Dimensions	178mm(W) x 53.8mm(H) x 194.6mm(D) (7.01" x 2.12" x 7.66")
Weight	1.44kg (3.17lbs)
Ingress Protection Rating	IP67
Compliance	CE, FCC, NCC, Telec, SRRC, CTA, UKCA

Cameras Specifications

Part no.	Description
AVA-CAM	IP67-rated AHD camera with FOV-190°

Display option

Part no.	Description
AVA-DISP	7" IP67 CVBS (800x480) display kit with mounting bracket, two Molly bolts, two strong magnets with bolts and two pieces of 3M tape

Detail display specification

AVA-DISP	
Panel Size	7" LCD panel
Resolution	800(H) x 480(V)
Contrast	500:1
Brightness	600cd/m ²
Response Time	25ms
Power Consumption	<500mA
Power Supply	12~36V DC-in
Operating Temperature	-20°C~80°C
IP Rating	IP67
Dimensions	188mm(W) x 137mm(H) x 67mm(D) including sunshade (7.4"(W) x 5.4"(H) x 2.6"(D))

Power Option

Part no.	Description
AVA-PWM-36+	36V~100V DC power module for EV forklifts.
AVA-PWM-24	IN/OUT: 24V/24V DC power module for EV forklifts
AVA-PWM-12	IN/OUT: 12V/24V DC power module for EV forklifts